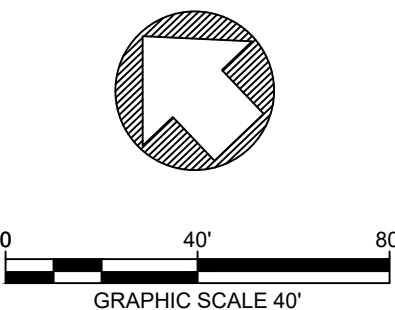


MONTECHINO PHASE 1 SECTION 1 HOME SITE EXHIBIT



MARSHALLS HARBOR LOT 26

MARSHALLS HARBOR LOT 19

MARSHALLS HARBOR LOT 24

MARSHALLS HARBOR LOT 23

MARSHALLS HARBOR LOT 20

MARSHALLS HARBOR LOT 21

MARSHALLS HARBOR LOT 22

THE MOORE GROUP
Engr. Firm Reg. #249

ENGINEERING & PLANNING
1000 GUERNAYACA PH. (512) 442-0377
AUSTIN, TEXAS 78733 FAX (512) 442-7807